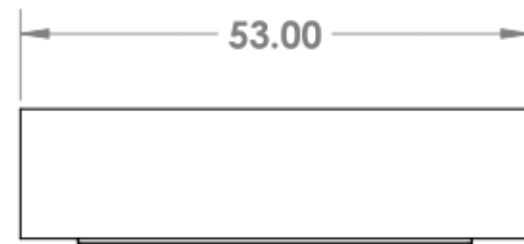


4

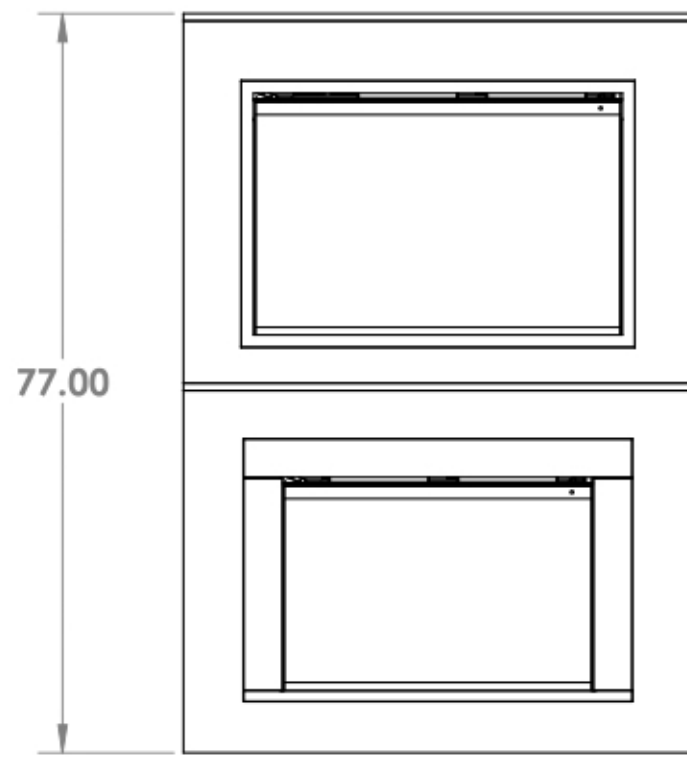
3

2

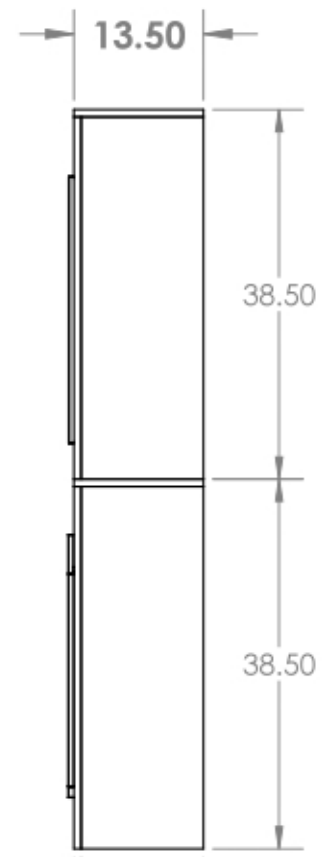
1



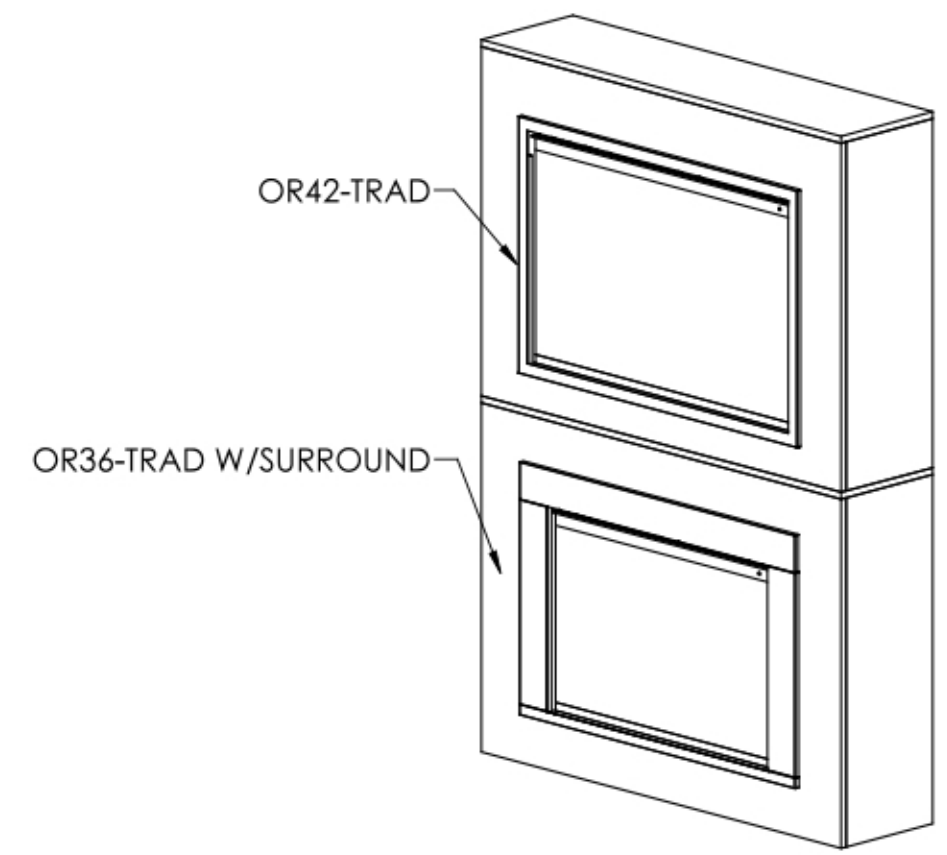
TOP VIEW



FRONT VIEW



SIDE ELEVATION



DIMETRIC VIEW

B

B

A

A

UNLESS OTHERWISE SPECIFIED:		NAME	DATE	RPG BRANDS
DIMENSIONS ARE IN INCHES		DRAWN	LP	
TOLERANCES:		CHECKED	HA	TITLE:
FRACTIONAL ±		ENG APPR.		PREMIUM TRADITIONAL MODERN FLAMES DISPLAYS
ANGULAR: MACH ±1° BEND ±1°		MFG APPR.		
TWO PLACE DECIMAL ±.010		Q.A.		SIZE DWG. NO.
THREE PLACE DECIMAL ±.005		PROPRIETARY AND CONFIDENTIAL THE INFORMATION CONTAINED IN THIS DRAWING IS THE SOLE PROPERTY OF RICHARDSON'S PRODUCT GROUP. ANY REPRODUCTION IN PART OR AS A WHOLE WITHOUT THE WRITTEN PERMISSION OF RICHARDSON'S PRODUCT GROUP IS PROHIBITED.		B 0025-2 Stack display
INTERPRET GEOMETRIC TOLERANCING PER:		DO NOT SCALE DRAWING		SCALE: 1:20 WEIGHT:
MATERIAL				SHEET 2 OF 6
FINISH				

4

3

2

1