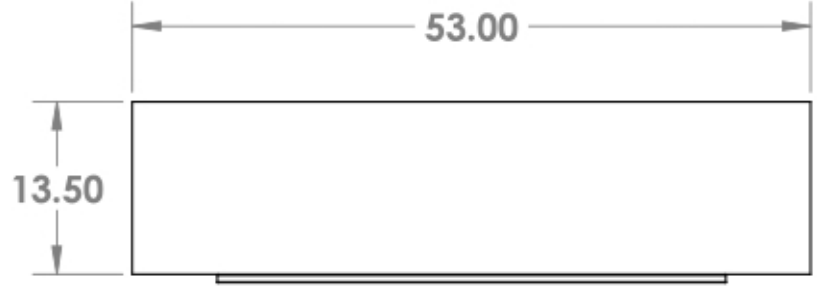


4

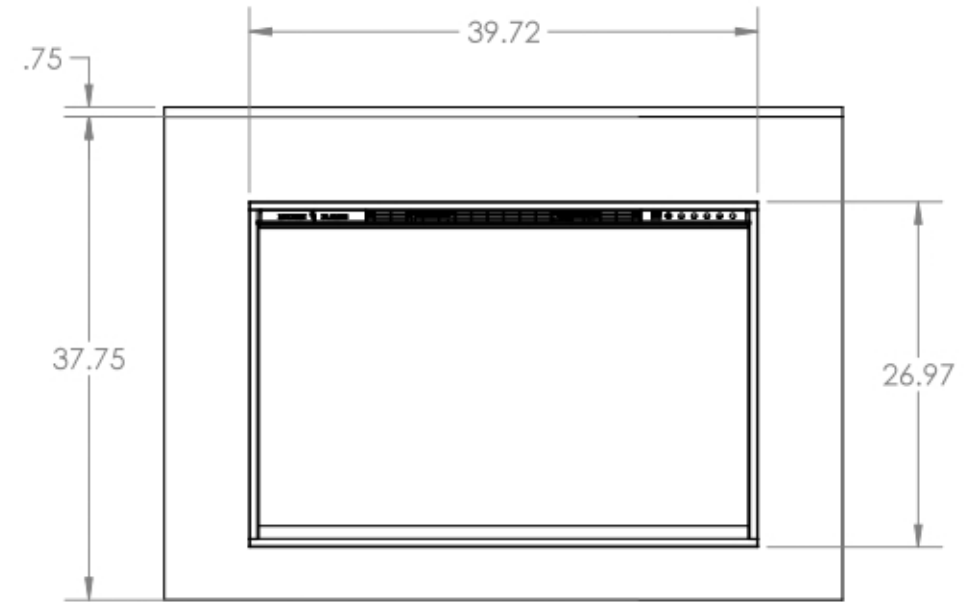
3

2

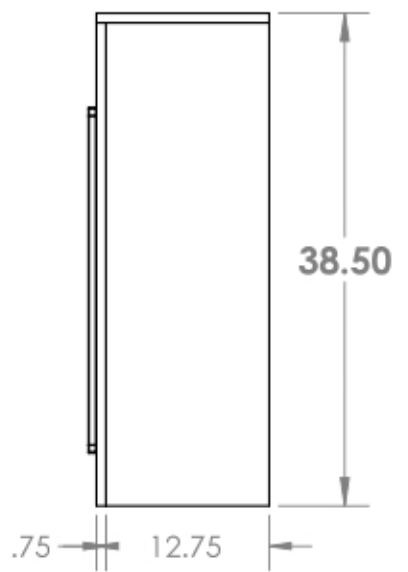
1



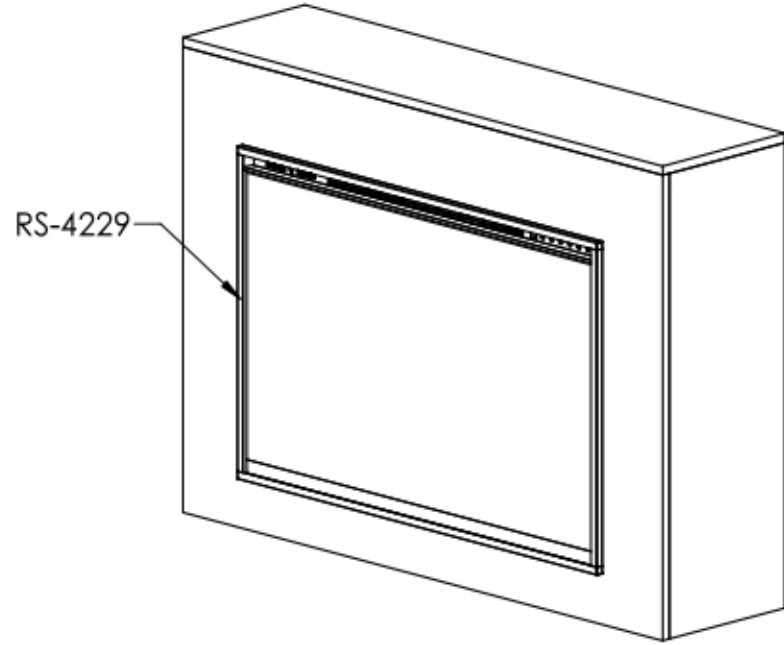
TOP VIEW



FRONT VIEW



SIDE ELEVATION



DIMETRIC VIEW

UNLESS OTHERWISE SPECIFIED:

DIMENSIONS ARE IN INCHES  
 TOLERANCES:  
 FRACTIONAL ±  
 ANGULAR: MACH ±1° BEND ±1°  
 TWO PLACE DECIMAL ±.010  
 THREE PLACE DECIMAL ±.005

INTERPRET GEOMETRIC TOLERANCING PER:

MATERIAL

FINISH

DO NOT SCALE DRAWING

	NAME	DATE
DRAWN	L P	
CHECKED	H A	
ENG APPR.		
MFG APPR.		
Q.A.		

**PROPRIETARY AND CONFIDENTIAL**  
 THE INFORMATION CONTAINED IN THIS DRAWING IS THE SOLE PROPERTY OF RICHARDSON'S PRODUCT GROUP. ANY REPRODUCTION IN PART OR AS A WHOLE WITHOUT THE WRITTEN PERMISSION OF RICHARDSON'S PRODUCT GROUP IS PROHIBITED.

**RPG BRANDS**

TITLE:  
**REDSTONE 42" PREMIUM DISPLAY**

SIZE DWG. NO.  
**B** 0025-2 Stack display

SCALE: 1:15 WEIGHT: SHEET 4 OF 6

4

3

2

1

B

B

A

A